

PERMIT

City of Napoleon
255 W. Riverview
Napoleon, OH 43545

Division of Building and Zoning
PH (419) 592-4010
FAX (419) 599-8393

Permit No: 002517 Date Issued: 01-10-05 Issued by: MBS

Job Location: 868 W GRACEWAY DR Est. Cost: 2000.00

Lot #: Subdivision Name:

Owner: Agent:
Address: BOB CORDES PLUMBING Address: SE
CSZ: 868 W GRACEWAY DR CSZ: 200000 002517
Phone: 13525 Phone:

Use Type – Residential: Other:

ZONING INFORMATION

Dist: Lot Dim: Area: Fyrd: Syrd: Ryrd:
Max HT: # Pkg Spaces: # Loading SP: Max Lot Cov:

BOARD OF ZONING APPEALS:

Work Type – New: Replmnt: Addn'n: Alter: Remodel:

WORK INFORMATION

Size - Lgth: Width: Stories: Living Area SF:
Garage Area SF: Height: Bldg Vol Demo Permit:

WORK DESCRIPTION

PL
2500

FEE DESCRIPTION PAID DATE FEE AMOUNT DUE
PLUMBING PERMIT 01-10-05 25.00

Total Fees Due 25.00



1-10-05
Date

[Signature]
Applicant Signature

CITY OF NAPOLEON GENERAL PERMIT APPLICATION

THIS APPLICATION IS FOR RESIDENTAL CONSTRUCTION INCLUDING BUILDING,
ELECTRICAL, PLUMBING, MECHANICAL, DEMILITIONS, REMODELING.

DATE: 1-10-05 JOB LOCATION: 868 W Grace Way

OWNER: _____ PHONE: _____

OWNER ADDRESS: _____ CITY: Apex ZIP: 13545

CONTRACTOR: Bob Podes PHONE: 419-758-3162

CONTRACTOR LICENSED WITH THE CITY OF NAPOLEON?: YES: _____ NO: _____

DESCRIPTION OF WORK TO BE PERFORMED: Sewer Replace

ESTIMATED COST OF WORK TO BE PERFORMED: 1,000

PLEASE MARK THE TYPE OF WORK YOU WILL BE PERFORMING

- | | |
|---|---|
| <input type="checkbox"/> A/C ADD ON | <input type="checkbox"/> REMODELING |
| <input type="checkbox"/> BOILER REPLACEMENT | <input type="checkbox"/> ROOFING |
| <input type="checkbox"/> CURBING | <input checked="" type="checkbox"/> SEWER REPAIRS |
| <input type="checkbox"/> DECKS * | <input type="checkbox"/> SIDEWALK* |
| <input type="checkbox"/> DRIVEWAY* | <input type="checkbox"/> SIDING |
| <input type="checkbox"/> ELECTRICAL SERVICE UPGRADE | <input type="checkbox"/> SIGN |
| _____ # of new circuits | <input type="checkbox"/> STORAGE SHED* |
| <input type="checkbox"/> ELECTRICAL SERVICE NEW | <input type="checkbox"/> STREET BOND |
| _____ # of circuits | <input type="checkbox"/> SWIMMING POOL* |
| <input type="checkbox"/> FENCE* | <input type="checkbox"/> TEMP ELECTRIC |
| <input type="checkbox"/> ADDITIONS* | <input type="checkbox"/> WATER TAP |
| <input type="checkbox"/> FURNACE REPLACEMENT | <input type="checkbox"/> WINDOWS |
| <input type="checkbox"/> FURNACE NEW | _____ # of windows |
| <input type="checkbox"/> LAWN METER | <input type="checkbox"/> ZONING |
| <input type="checkbox"/> PLUMBING | |
| <input type="checkbox"/> OTHERS: _____ | |

*PLEASE MAKE A PICTURE ON REVERSE SIDE SHOWING MEASUREMENTS FROM EXISTING STRUCTURES AND PROPERTY LINES. INDICATING THE TYPE OF WORK YOU WISH TO PERFORM.

City of Napoleon Inspection Form

F

Permit #002517

Date Issued: 01-10-2005

Job Location: 868 W GRACEWAY DR

Owner:

Owner Phone: 13525

Contractor:

Contractor Phone:

Work Description: PL

Plumbing: UNDGR _____ RGHIN _____ FINAL _____

SEWER INSP 01-25-05

Mechanical: UNDGR _____ RGHIN _____ FINAL _____

FURNACE REPLAC _____ AIR COND _____

Electrical: UNDGR _____ RGHIN _____ FINAL _____

SEVR UPGR _____

Building: Site _____ FTG _____ FNDDT _____

STRU _____ ROOF _____ EXT _____

VENT _____ ACCES _____ EGRS _____

SMKDT _____ FINAL _____

ISSUE TEMP OCCUP _____ ISSUE OCCUP _____

STGE Shed: SITE _____ FINAL _____

Sign: FTG _____ FINAL _____

Fence: SITE _____ FINAL _____

DRIVEWAY: _____ SIDEWALK: _____

MISC INSP: _____

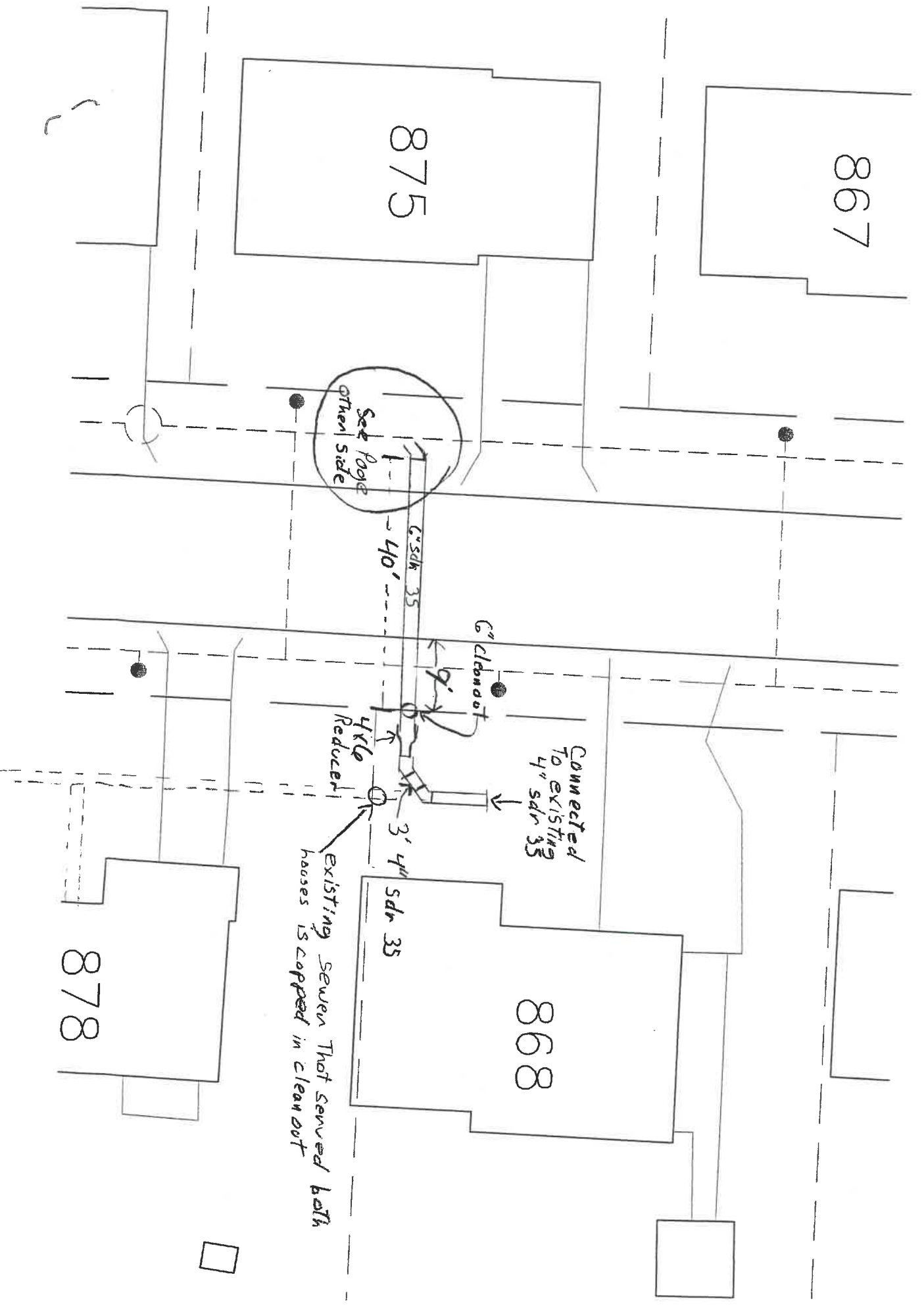
NOTES:

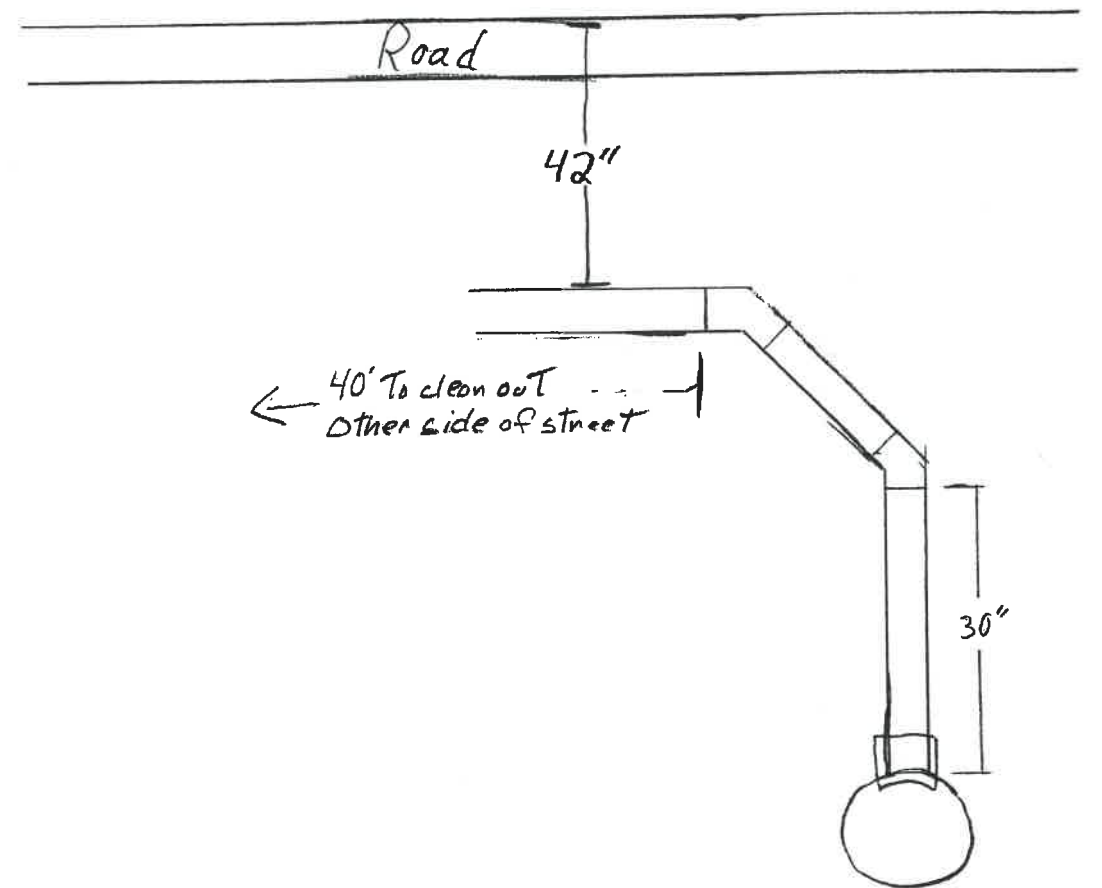
Sewer Repair

INSPECTORS INITIALS: TZ

868 Graceway

RS
1"=20'





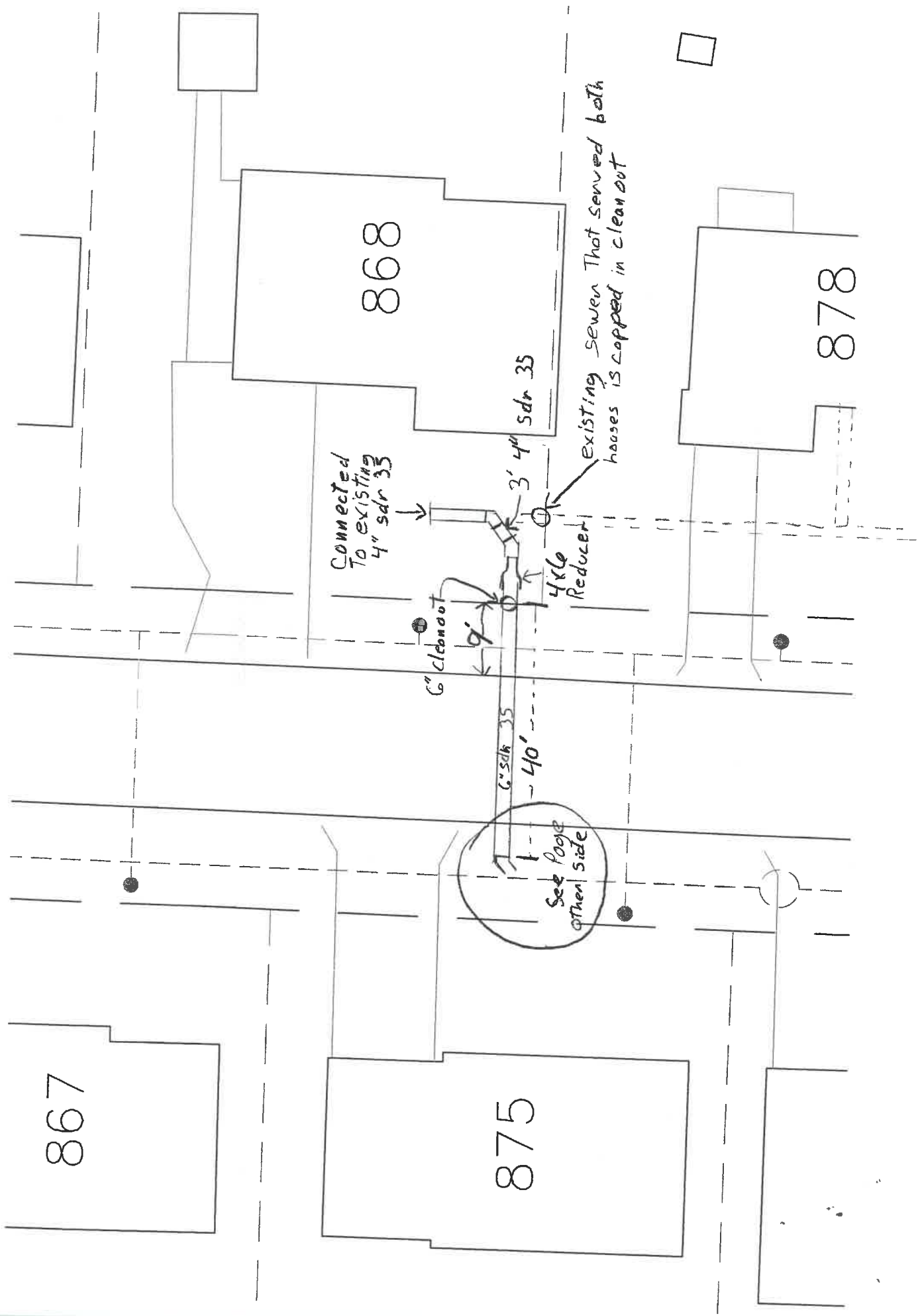
← 40' To clean out
Other side of street →

30"

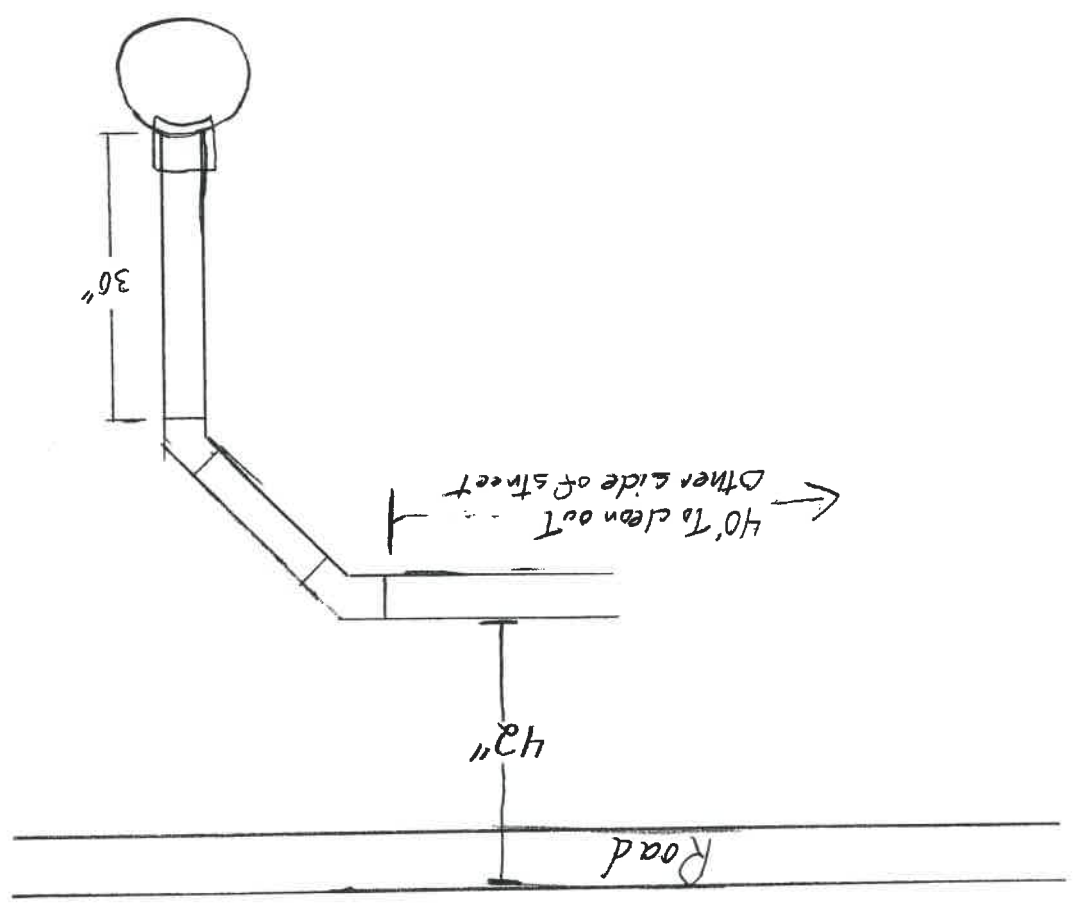
existing 10" Sewer Main
8' deep

868 Graceway

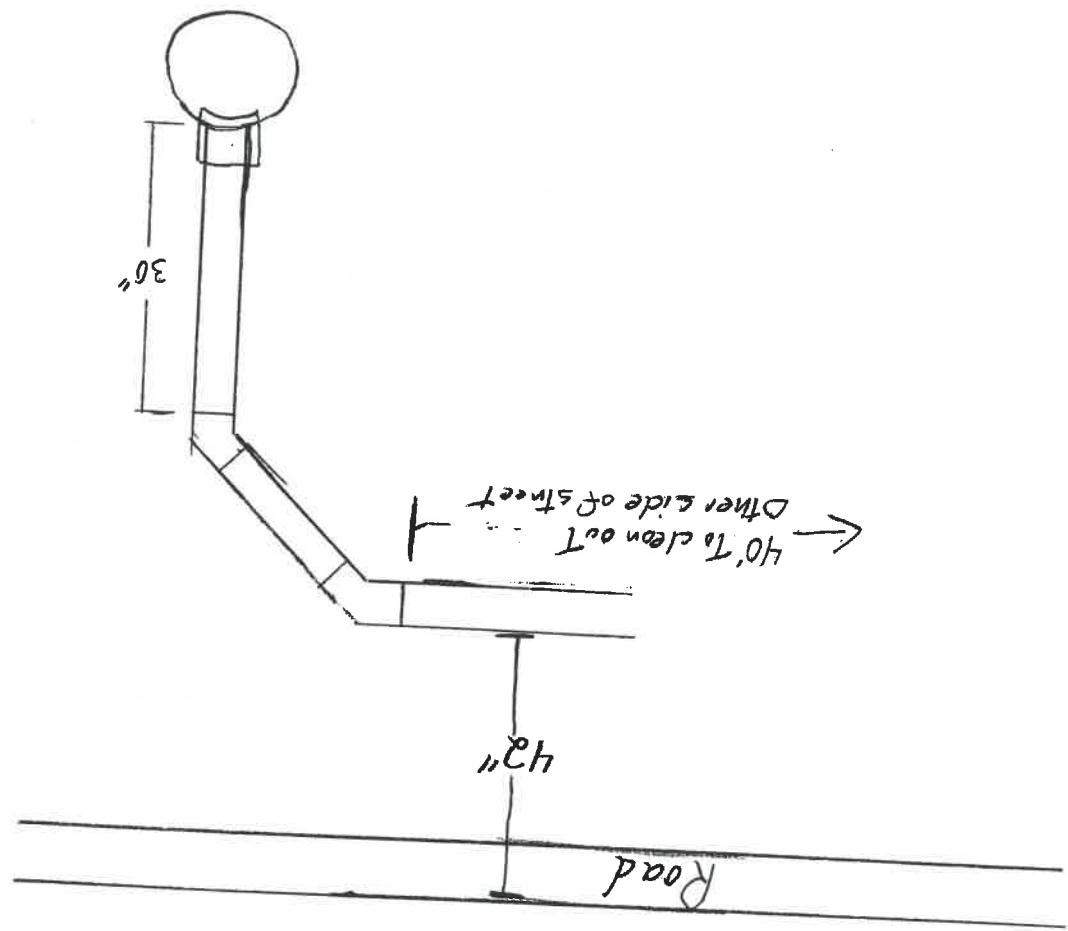
AN
1"=20'



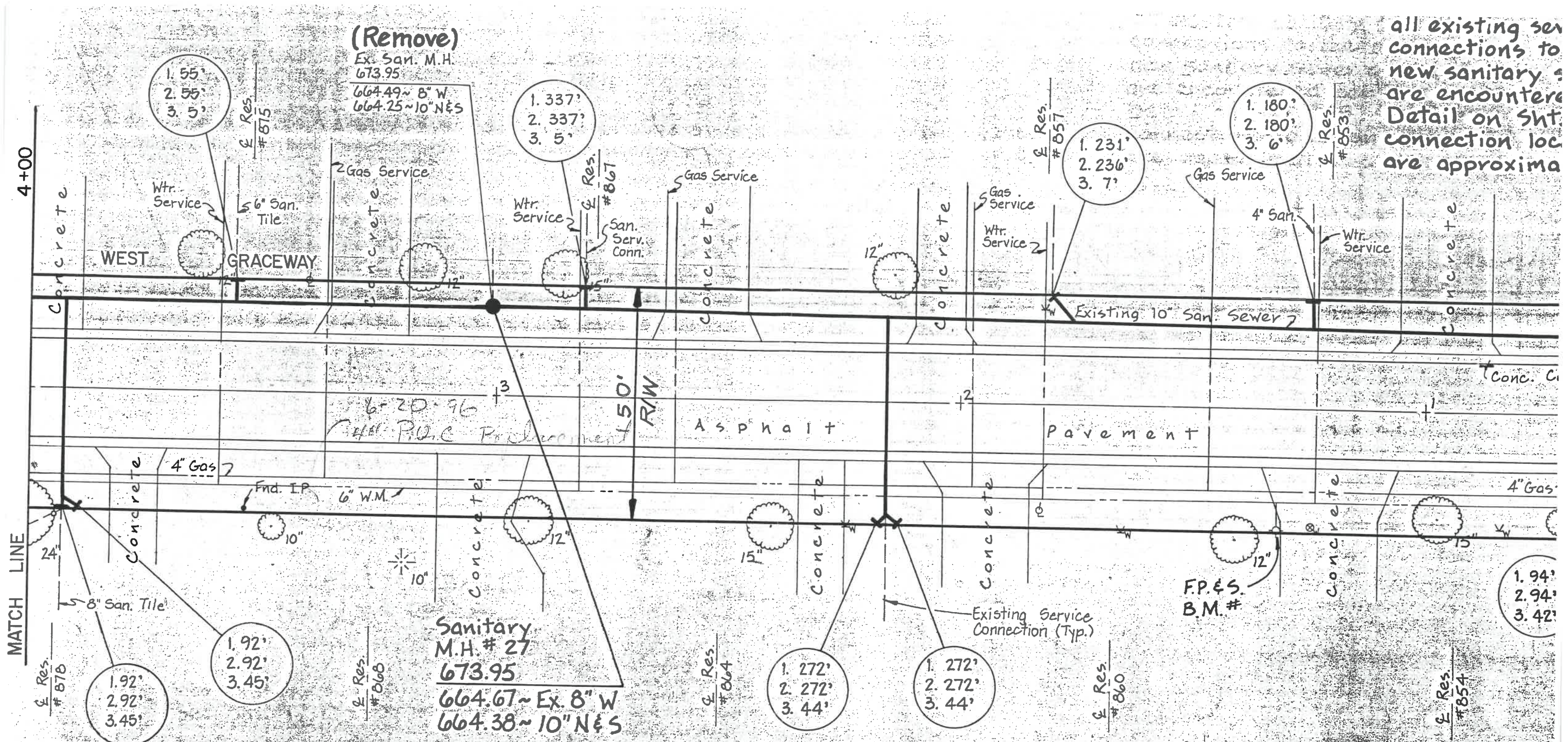
existing 10" sewer Main
8' deep



existing 10" sewer Main
8' deep



all existing sewer connections to new sanitary are encountered
Detail on Sht. connection loc. are approxima



F.P. & S. Bench Mark #
"x" Cut in NW B.B. of ϕ
26' Left of Sta. 1+32±
Elev. 676.85

REV. NO.	DESCRIPTION	DATE	BY
1	Record Drawings	2-24-92	BS.M.

